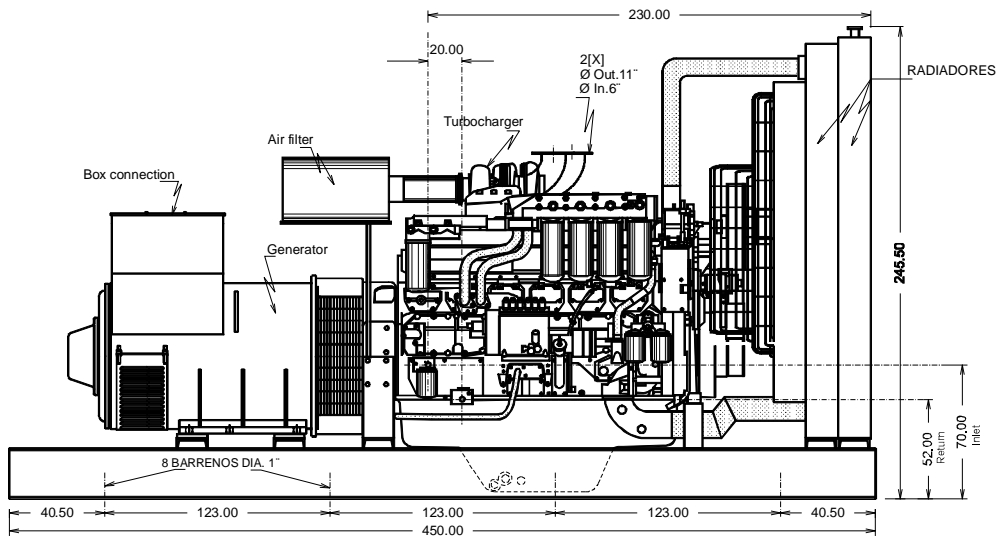
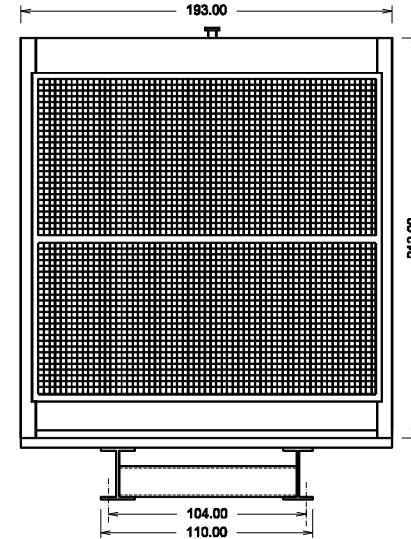


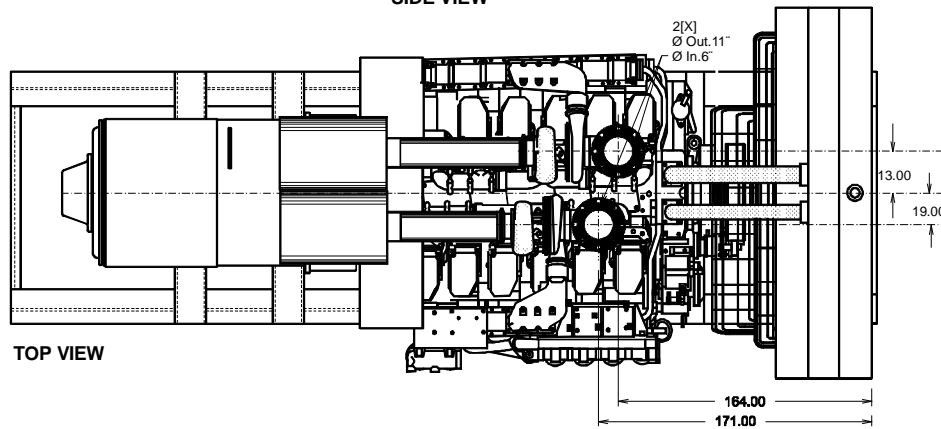
MODELS
CNE1100
CNY1000



SIDE VIEW



FRONT VIEW



TOP VIEW

DESCRIPTION	
RADIATOR:	OV32 5H
ENGINE:	QST 30 G4
AIR: FILTER:	AH1135 (2X)
BASE FRAME:	BP-QSTG4-STF
# SPRING AVMS:	8 PZS

-THE GENSET DIMENSIONS ARE THE SAME BY FAMILY MODEL, THERE COULD BE ONLY DIFFERENCES ON THE ALTERNATOR LENGTH SEE SPECIFIC GENERAL ARRANGEMENT DRAWING OF CERTAIN MODEL
-TOTAL WEIGHT COULD VARY CHECK RATING CHART FOR EACH MODEL

Customer: _____ S/O: _____

Rev.	Description	Date	Certificated

Title: **CUMMINS ENGINE QST30G4 - STAMFORD ALTERNATOR**

Draw: R.G.C. Revised: F.H.M. Certificated: F.H.M. Code: **CNEY-14**

Date: JAN 05th 2005 Date: JAN 05th 2005 Date: JAN 05th 2005 Dept.: Engineering

Marks: oms Draw: _____

Scale: s/e DT

Reviews

Otomotors keeps the right to change the information with out prior notice